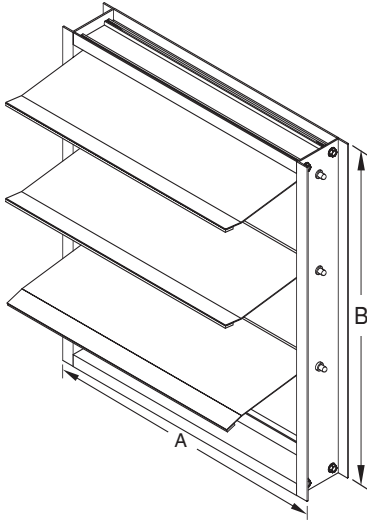


POTTORFF®

Series BD50

model BD50

light duty backdraft damper



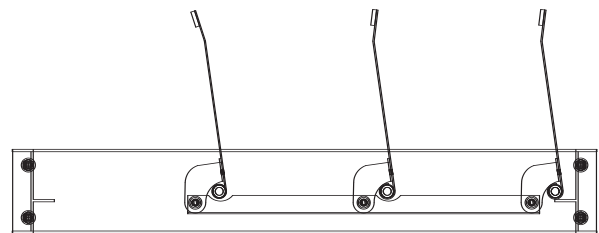
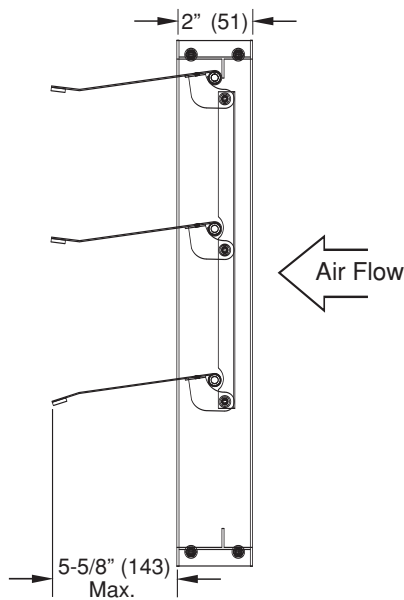
Model **BD50**

SPECIFICATIONS

- 2" x 1/2" x .060 (51 x 13 x 1.5) 6063 extruded aluminum channel frame.
 - 0.025 (0.6) formed aluminum blades, standard 3-7/8" (98) o.c. with delrin pivot bushings.
 - Aluminum tie bar interconnects all blades for increased stability at higher velocities.
 - Neoprene blade edge seals provide quiet operation.
 - Maximum single section 36"w x 48"h (915 x 1219). Minimum size 6"w x 6"h (152 x 152).
- Units supplied approximately 1/4" (6) under nominal duct dimension.

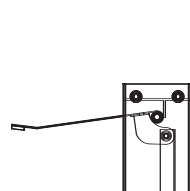
OPTIONS

- Stainless steel construction: 304
- Mounting flanges, 1-1/2" (38):
front mount - model BD50B
rear mount - model BD50C

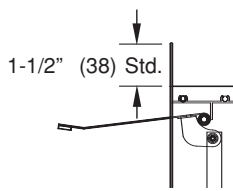


Model **BD50** for horizontal mount.
Up-Flow only.

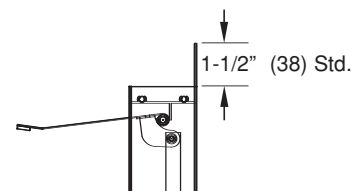
FRAME CONSTRUCTION



Model **BD50**



Model **BD50B**



Model **BD50C**

Information is correct at time of printing. However we reserve the right to make changes without notice.

Note: All dimensions shown in () are millimeters.